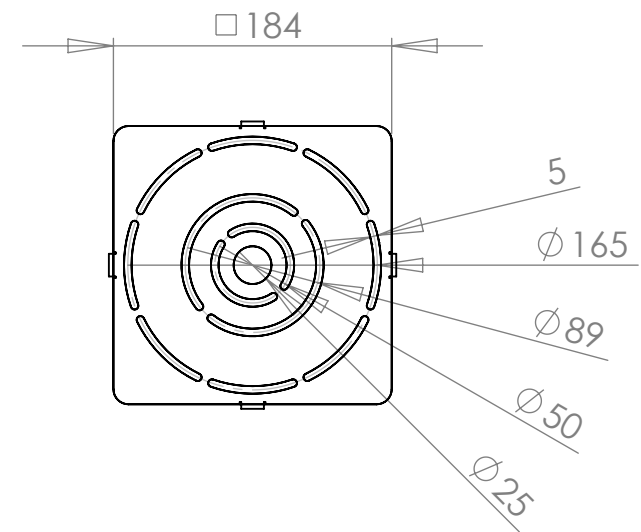


Deckenmontagehalter



Dimensions are in millimeters [inch]  
 All product specifications are subject to change without prior notice.



Description	funis m square 2000	Scale	1:5
	P1152008	Pagesize	A4
Revision		Page	1/1