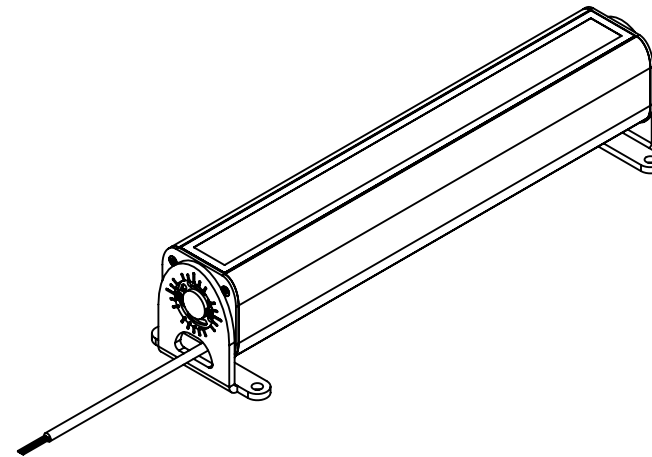
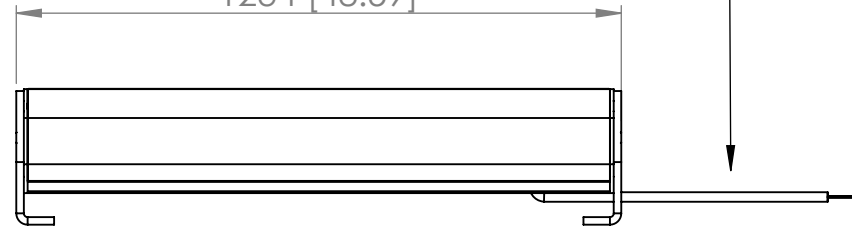


Ader 1 GND
Ader 2 DMX -
Ader 3 AADR
Ader 4 DMX +
Ader 5 VDC

319 [12.56]
624 [24.57]
929 [36.58]
1234 [48.59]



Dimensions are in millimeters [inch]
All product specifications are subject to change without prior notice.



Description	linea s	Scale
	Revision	Pagesize
		Page